

- 21.5 inches FHD.
- Wide viewing angle and high brightness.
- Integrated Quad Core ARM CPU.
- Optional touch panel, Glass or PMMA 3mm.
- Fully configurable manual and automatic dimmer.
- Slim frame and reduced depth.
- Wide power supply options available.
- Extended range operating temperature.
- LED backlight lifetime min. 50.000h.

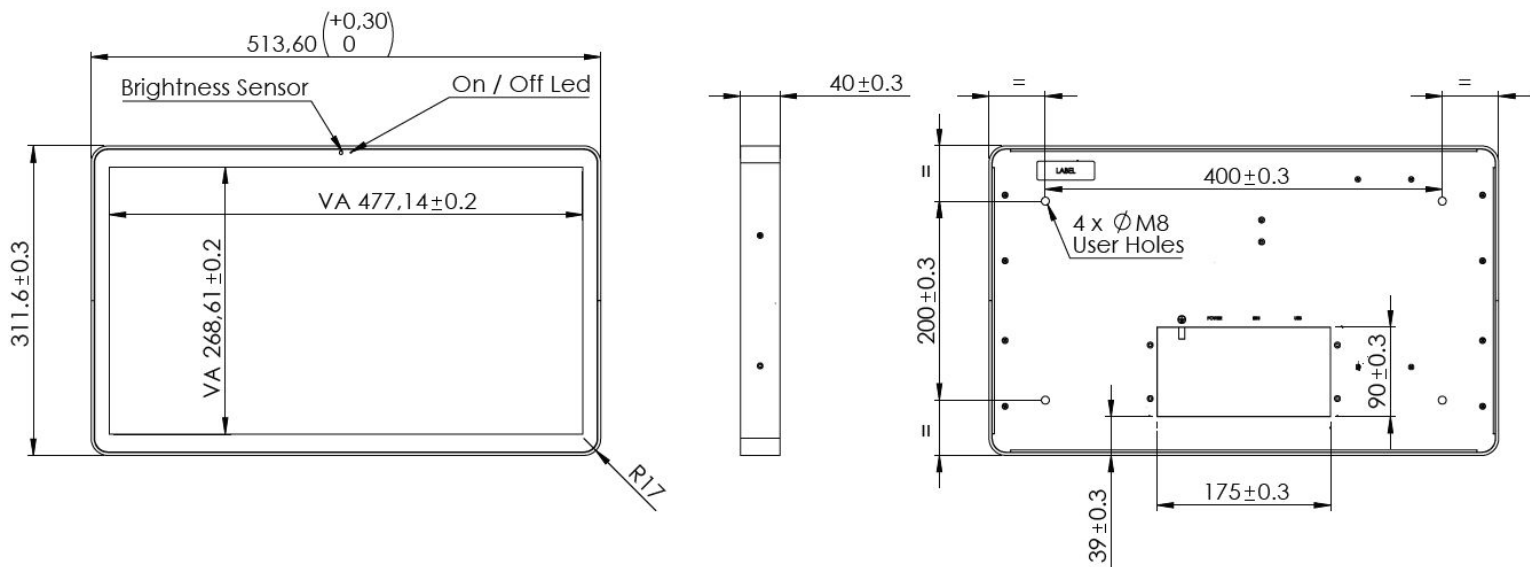


General Specification	
Size	21.5 inches
Resolution / Aspect	1920 x 1080px / 16:9
Inputs	Ethernet / WiFi
Audio	Optional Audio Output
Touch	Resistive 5 Wires / Projected Capacitive
Power Supply	9-36V DC / 43-160VDC / 14-160VDC
Power Consumption	Max. 32W
MTBF / Lifespan	Controller and LCD: 100.000h Backlight: min. 50.000h
Warranty	36 months
Certification	EN50155*, EN45545*
Mounting Type	Stand Alone. 4 x M8 fixing
Mechanical and Environment	
Dimension	513.6 x 311.6 x 40mm (see drawing for details)
Weight	5.5Kg
Enclosure	Steel and Aluminum. Powder Paint / Anodized Color: Black. Custom colors available
Operation Temp.	-25°C to 55°C
Storage Temp.	-30°C to 80°C
Vibrations / Shock	1G 2-500Hz / 10G 11ms
IP Rating	IP65 front, IP54 rear
Optical Specification	
Brightness	350 nits / HB 500 nits / LED backlight
Dimmer	Fully configurable Dimmer with Internal Sensor (included) and External Sensor (optional)
Contrast ratio	1000:1
Viewing Angle	178° H, 178° V
Response Time	16 ms
Optical Finish	Anti-glare/Anti-reflective
Enhancements	Sunlight Readable and Transflective Enhancements Available

*Upon request

CPU Specification (Intel)	
Cores	E3815 / E3825 / E3845 / E3930 / E3950/ N3350 / N4200
Frequency	1.46Ghz / 1.33Ghz / 1.91Ghz / 1.2Ghz / 1.1-2.5Ghz
DDR	Up to 8G DDR4
Graphics	Intel Graphics
Storage	Internal 8 to 32G eMMC , external C-FAST / TF
Watchdog	Configurable watchdog
O/S	Linux , Windows
CPU Specification (ARM 4 cores)	
Cores	Quad-core ARM Cortex-A17
Frequency	1.8GHz
DDR	Up to 4G DDR4
Graphics	Mali-T760 MP4 GPU
Storage	Internal 8 to 16G eMMC , external TF/SD
Watchdog	Configurable watchdog
BSP	Linux / Android
CPU Specification (ARM 6 cores)	
Cores	Dual Cortex-A72 + Quad Cortex-A53 - 64-bit CPU
Frequency	2Ghz / 1.5Ghz
DDR	Up to 4G DDR4
Graphics	Mali-T860 MP4
Storage	Internal 8 to 16G eMMC , external TF/SD
Watchdog	Configurable watchdog
BSP	Linux / Android
I/O	
Ethernet	1 x Base 10/100, optional Gigabit, M12 Connector
USB	USB 2.0 x 1 M12 connector, USB 2.0 x 1 Type A
Ignition	Integrated digital input for IGN control
Digital I/O	Optional 8 Input or 4 in 4 Out
Video	Optional DVI / HDMI Output
Audio	Optional Line In / Line Out

Drawing



Images



Ordering Information

Model	CPU	RAM/Flash	I/O	Interfaces	Power	Brightness	Touch/Cover
EDF2150HB-G30-4200-0400-NNSC-9	N4200	4G / 0G	IGN	Ethernet M12, USB x 2	72/110VDC	500 nits	3mm Tempered
EDF2150HB-G30-4200-0832-NNSC-9	N4200	8G / 32G	IGN	Ethernet M12, USB x 2	72/110VDC	500 nits	3mm Tempered
EDF2150HB-G30-3288-0208-NNSC-B	ARM 4C	2G / 8G	IGN	Ethernet M12, USB x 2	16-36VDC	500 nits	3mm Tempered
EDF2150HB-G30-3399-0208-NNSC-B	ARM 6C	2G / 8G	IGN	Ethernet M12, USB x 2	16-36VDC	500 nits	3mm Tempered

Custom Options
