

- 19" inches WXGA monitor.
- High brightness and wide viewing angle.
- Resistive / projected capacitive touch panel.
- Optional Fully configurable manual and automatic dimmer.
- Slim frame and reduced depth.
- Power supply 24VDC.
- Normal and extended operation temperature options
- LED backlight lifetime min. 50.000h



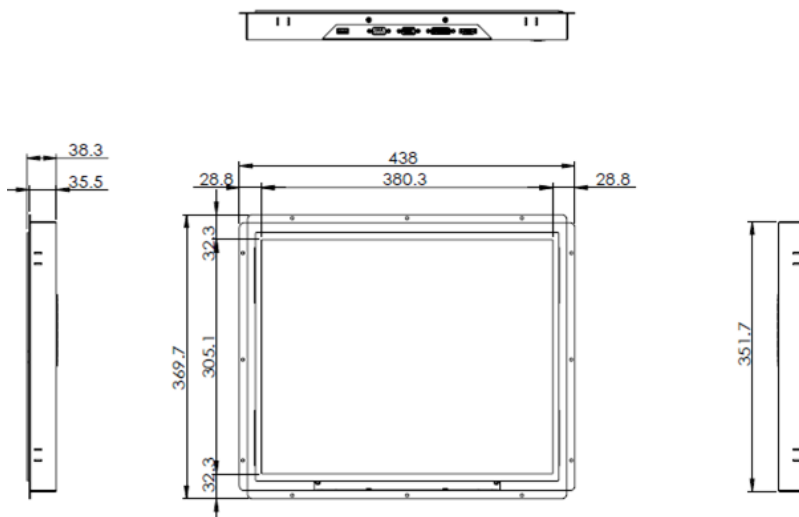
| General Specification | |
|----------------------------|---|
| Size | 19 inches |
| Resolution / Aspect | 1280 x 1024px / 5:4 |
| Inputs | LVDS/VGA/HDMI/DVI (factory Selectable). |
| Audio | No Audio |
| Touch | Resistive 4 or 5 Wires / Projected capacitive. I2C/USB/RS232 |
| Power Supply | 9-36V DC |
| Power Consumption | 15W / 30W |
| MTBF / Lifespan | Controller and LCD: 100.000h Backlight: min. 50.000h |
| Warranty | 24 months |
| Certification | CE |
| Mounting Type | Open Frame Type, VESA75 optional (customization available) |
| Mechanical and Environment | |
| Dimension | See drawing |
| Weight | 3.2Kg |
| Enclosure | Steel and Aluminum, Wet Paint (Powder Paint optional) |
| Operation Temp. | 0°C to 60°C / -30°C to 70°C |
| Storage Temp. | -35°C to 85°C |
| Vibrations / Shock | 1G 2-500Hz / 10G 11ms |
| Optical Specification | |
| Brightness | 350/1600 nits, LED backlight. |
| Contrast ratio | 1000:1 |
| Viewing Angle | 170° H, 160° V / 178° H, 178° V |
| Response Time | 16 ms |
| Optical Finish | Anti-glare/Anti-reflective |
| Enhancements | Sunlight Readable and Transfletive Enhancements Available |

Inelmatic Electronics Service Centers
 Europe: Valladolid (Spain)
 Asia: Shanghai (China),
 Americas: Florida (USA), Ontario (Canada),
 Australia: Perth & Melbourne (Australia)

Images



Drawing



Ordering Information

| Model | Size | Resolution | Brightness | Enhancement | Touch | Input |
|--------------------------|------|------------|------------|-------------|----------|-------|
| OF1900-G11-LNN-YND0-Y | 19" | 1280x1024 | 350nits | None | No | LVDS |
| OF1900-G11-VNN-YND0-Y | 19" | 1280x1024 | 350nits | None | No | VGA |
| OF1900-UPN-LNN-YND0-Y | 19" | 1280x1024 | 350nits | None | PCAP USB | LVDS |
| OF1900-UPN-VNN-YND0-Y | 19" | 1280x1024 | 350nits | None | PCAP USB | VGA |
| OF1900SHB-G11-LNN-YND0-Y | 19" | 1280x1024 | 1600nits | None | No | LVDS |
| OF1900SHB-G11-VNN-YND0-Y | 19" | 1280x1024 | 1600nits | None | No | VGA |
| OF1900SHB-UPN-LNN-YND0-Y | 19" | 1280x1024 | 1600nits | None | PCAP USB | LVDS |
| OF1900SHB-UPN-VNN-YND0-Y | 19" | 1280x1024 | 1600nits | None | PCAP USB | VGA |

Inelmatic Electronics Service Centers
 Europe: Valladolid (Spain)
 Asia: Shanghai (China),
 Americas: Florida (USA), Ontario (Canada),
 Australia: Perth & Melbourne (Australia)