

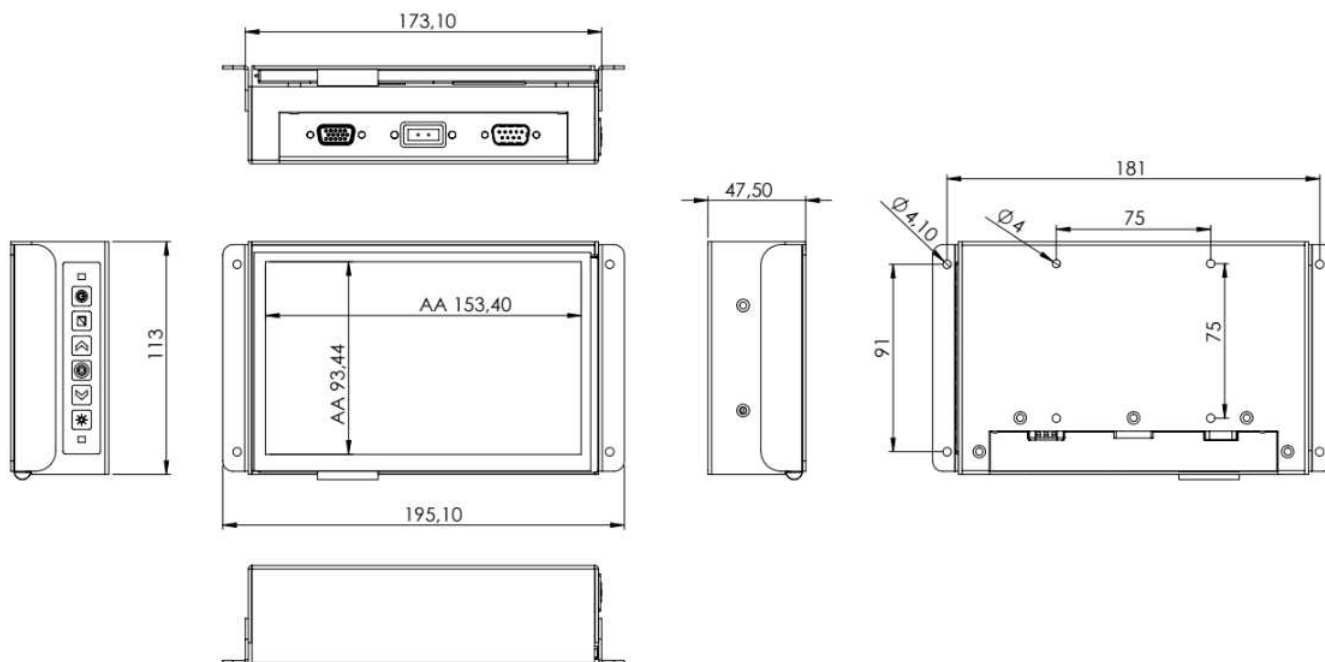


- 7 inches WVGA monitor.
- High brightness and wide viewing angle.
- Resistive / projected capacitive touch panel.
- Optional Fully configurable manual and automatic dimmer.
- Slim frame and reduced depth. Open Frame.
- Power supply 9-36VDC (72, 110VDC Optional).
- -20°C to 70°C operating temperature.
- LED backlight lifetime min. 50.000h

General Specification	
Size	7 inches
Resolution / Aspect	800 x 480px / 16:9
Inputs	LVDS/VGA/HDMI/DVI (Factory Selectable).
Audio	No Audio
Touch	Resistive 4 or 5 Wires / Projected capacitive. I2C/USB/RS232
Power Supply	9-36V DC (72V DC, 110V DC Optional)
Power Consumption	10W
MTBF / Lifespan	Controller and LCD: 100.000h Backlight: min. 50.000h
Warranty	24 months
Certification	CE, EN50155 (Pending)
Mounting Type	Open Frame Type, VESA75 optional (customization available)
Mechanical and Environment	
Dimension	See drawing
Weight	0.7Kg
Enclosure	Steel and Aluminum, Wet Paint (Powder Paint optional)
Operation Temp.	-20°C to 70°C
Storage Temp.	-35°C to 85°C
Vibrations / Shock	1G 2-500Hz / 10G 11ms
Optical Specification	
Brightness	350/500/1000 nits, LED backlight.
Contrast ratio	500:1
Viewing Angle	160° H, 140° V
Response Time	16 ms
Optical Finish	Anti-glare/Anti-reflective
Enhancements	Sunlight Readable and Transfletive Enhancements Available

Inelmatic Electronics Service Centers
 Europe: Valladolid (Spain)
 Asia: Shanghai (China),
 Americas: Florida (USA), Ontario (Canada),
 Australia: Perth & Melbourne (Australia)

Drawings



Images



Ordering Information

Model	Size	Resolution	Brightness	Optical Finish	Touch	Input	Voltage
OF700HB-RPN-VNN-YND0-T	7"	800x480	600NITS	AG	PCAP-RS232	VGA	24Vdc Isolated
OF700HB-RPN-VNN-YND0-9	7"	800x480	600NITS	AG	PCAP-RS232	VGA	72-110Vdc Isolated

Accessories

Inelmatic Electronics Service Centers
 Europe: Valladolid (Spain)
 Asia: Shanghai (China),
 Americas: Florida (USA), Ontario (Canada),
 Australia: Perth & Melbourne (Australia)