

Introduction

XF1000V2 is a 10.4 inches industrial grade XGA monitor, including LED backlight with 400nits, 600nits (HB) and 1200nits (SHB) brightness versions, wide angle panel with Sunlight readable options in Resistive & Multi-touch Projected Capacitive touch panels.

XF1000V2 includes a high featured controller including automatic and manual backlight adjustment, depending of the ambient light, which makes it suitable for applications from the darkest night (NVIS) to the bright sun light. Besides, the XF1000V2 optionally includes a resistive touch panel with USB controller, adding interactivity.

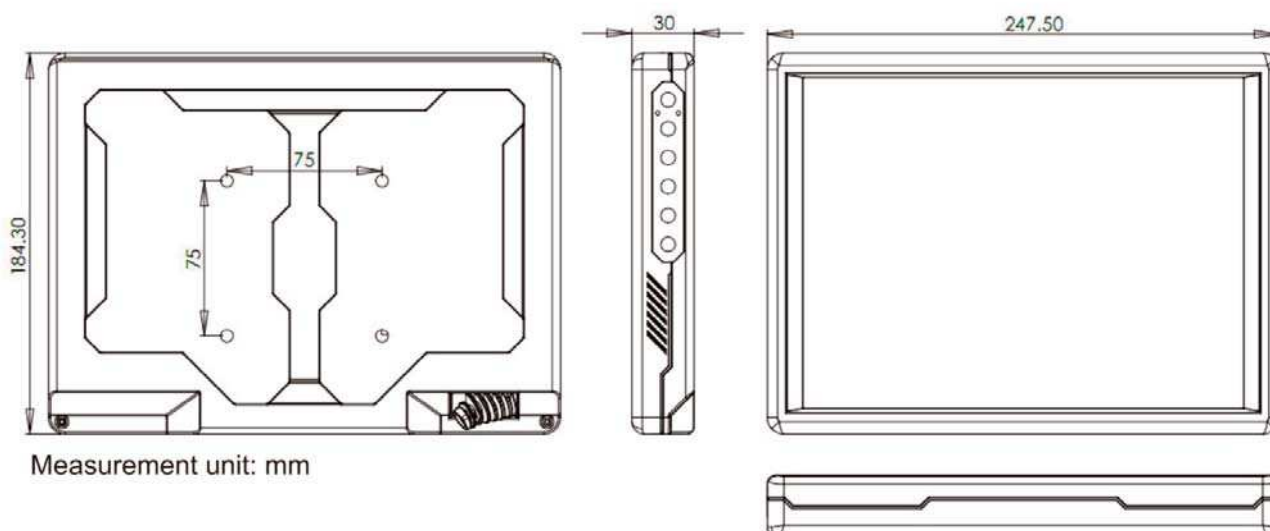
The XF1000V2 is available with VGA and Audio input as standard, optional DVI, Composite Video and S-Video inputs. All inputs are available as factory option on the rear panel. Optionally it includes "all-in-one cable", with a lockable connector for an easy and quick installation.



Main features

- * High quality image with wide viewing angle, 178 (H)/ 150 (V), 179 (H)/ 179 (V) optional.
- * High efficiency backlight.
- * Sunlight readable.
- * Backlight control, suitable from night vision to outdoor daylight applications.
- * IP54 chassis.
- * Designed for continuous vibration environments.
- * Wide input voltage range with transient protection.
- * Standard VESA mount.
- * Industrial grade resistive touch.
- * Industrial grade PCT touch.

Drawing



Specifications

Size	10.4 Inches
Aspect	4:3
Inputs	VGA, DVI, HDMI, 2 / 3 x Composite Video
Audio	2 x 1.8W
Touch Panel	Resistive USB/RS232, Endurance>2M touch. PCT multi-Touch optional
Power supply	9-36VDC automotive car/truck suitable
Power consumption	(N): 7W, HB:11W, SHB: 13W
Mounting	Stand alone and headrest accesories optional
Warranty	12 months international, 24 months Europe
Certification	CE*, e-mark*, EN50155*, CCC* *upon request

Mechanical and environmental specs

Dimensions	247.5 x 184.3 x 30 mm
Weight	900gr
Enclosure	Aluminium chassis/rear. PVC-ABS front with anti-polish painting
Operation temperature	-35°C to 70°C max (-20°C to 60°C continuous)
Storage temperature	-40°C to 85°C
Vibrations	1G 2-500Hz
Shock	20G 11ms
Drop	10cm max
Mounting	VESA 75mm mounting holes, Stand alone and headrest accesories.

Optical specifications

Brightness	Normal: 400nits, HB:600nits, SHB:1200nits
Contrast	500:1
Colors	256K
Native resolution	1024x768px
Outdoor readability	Meets MIL-STD-3009 (sunlight readable version XF1000V2HB-US/RS/UPS)
NVIS	Optional NVIS B compliant

ORDER INFORMATION

Code and Options: XF1000V2HB-X Y V A C

High Brightness	:	:	:	:	
X - Touch Screen Option		:	:	:	:	C - Cable Option
Resistive touch		:	:	:	:	2.5: 2.5 meters
U: USB		:	:	:	:	4.5: 4.5 meters
R: RS232	:	:	:	:	C: Custom Cable
PCT touch		:	:	:	:	A - Audio Option
UP: PCT touch		:	:	:	:	N:W/O Audio
PM: Multi-touch PCT		:	:	:	:	A: Stereo Audio
N: Non-touch		:	:	:	:	V - Video Option
Y - Usage Option	:	:	:	:	V: Video Input
N: Normal		:	:	:	:	N: W/O Video
D: Day Light readable		:	:	:	:	D: DVI Input
S: Sun Light readable		:	:	:	:	

Example: XF1000V2HB-UPSVA2.5 10.4" 600nits backlight with PCAP touch, Sunlight readable, Video, Audio with 2.5m all-in-one cable.