

- 10.4 inches
- Wide viewing angle and high brightness
- Integrated Intel Atom or ARM
- Optional touch panel
- Fully configurable manual and automatic dimmer
- Metal frame
- Wide power supply options available
- Extended range operating temperature
- LED backlight lifetime min. 50.000h

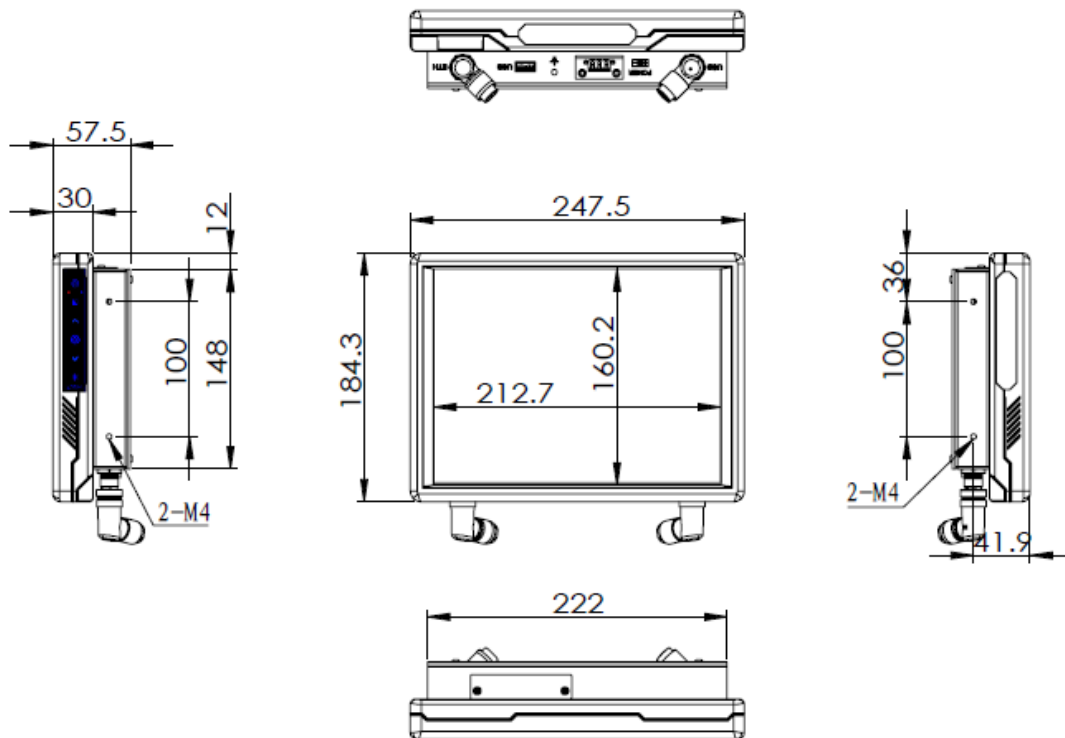


General Specification	
Size	10.4 inches
Resolution / Aspect	1024x768 / 4:3
Inputs	Ethernet / USB
Audio	Optional Audio Output Stereo 2x1.5W
Touch	Resistive 5 Wires / Projected Capacitive / None
Power Supply	9-36VDC / 43-160VDC / 14-160VDC
Power Consumption	<20W
MTBF / Lifespan	Controller and LCD: 100.000h Backlight: min. 50.000h
Warranty	24 months
Certification	EN50155*, EN45545*
Mounting Type	Stand Alone
IP	IP42
Mechanical and Environment	
Dimension	(see drawing for details)
Weight	<1.5Kg
Enclosure	Plastic and Aluminum, Powder Paint
Operation Temp.	-20°C to 70°C
Storage Temp.	-30°C to 85°C
Vibrations / Shock	1G 2-500Hz / 10G 11ms
Optical Specification	
Brightness	600 nits / 1000 nits, LED backlight.
Dimmer	Fully configurable Dimmer with Internal Sensor (optional) or External Sensor (optional)
Contrast Ratio	Min 800:1
Viewing Angle	178° H, 178° V
Response Time	16 ms
Optical Finish (optional)	Anti-glare / Anti-reflective / None
Enhancements (Optional)	Sunlight Readable and Transflective Enhancements Available

*Upon Request

CPU Specification (ARM)	
Cores	Quad-core ARM Cortex-A17
Frequency	1.8GHz
DDR	Up to 4G DDR4
Graphics	Mali-T760 MP4 GPU
Storage	Internal 8G eMMC , external TF/SD (Optional)
Watchdog	Configurable watchdog
CPU Specification (Intel)	
Cores	E3815 Single Core / E3825 Dual Core / E3845 Quad Core / E3930 Dual Core
Frequency	1.46Ghz / 1.33Ghz / 1.91Ghz / 1.2Ghz
DDR	Up to 8G DDR4
Graphics	Intel Graphics
Storage	Internal 8 to 32G eMMC , external C-FAST / TF
Watchdog	Configurable watchdog
I/O	
Ethernet	1 x Base 10/100, Optional Gigabit, M12 Connector D Coded
USB	USB 2.0 x 1 Type A, USB 2.0 x 1 M12 Connector A coded
Ignition	Integrated digital input for IGN control
RS232/485	RS232 / RS485 Port (M12 Connector) Optional
Digital I/O	8 Input or 4 in 4 Out optional
Video	Optional DVI / HDMI Output
Audio	Optional Line In / Line Out

Drawing



Images



Ordering Information

Model	CPU	RAM/Flash	Interfaces	Power Supply	Brightness	Enhancement	Touch/Cover
ED1000HB-UPN-2232-2ND2-1	E3825	2G / 32G	Ethernet / USB / RS232 / RS485	9-36VDC	600 nits	None	PCAP
ED1000HB-UPN-R28-2ND2-1	ARM	2G / 8G	Ethernet / USB / RS232 / RS485	9-36VDC	600 nits	None	PCAP
ED1000HB-UPN-3930-2ND2-1	E3930	4G / 32G	Ethernet / USB / RS232 / RS485	9-36VDC	600 nits	None	PCAP
ED1000HB-UPS-3930-4ND2-1	E3930	4G / 32G	Ethernet / USB / RS232 / RS485	9-36VDC	600 nits	Sunlight readable	PCAP
ED1000HB-UPN-R28-2ND2-1	ARM	2G / 8G	Ethernet / USB / RS232 / RS485	9-36VDC	600 nits	None	PCAP

Custom Options
