

- Very Wide Aspect 29 inches native TFT.
- Wide viewing angle and high brightness.
- Integrated Intel Atom or ARM Quad Core CPU.
- Optional protection glass or touch panel.
- Fully configurable manual and automatic dimmer.
- Metal frame.
- Wide power supply options available.
- Extended operating temperature range.
- LED backlight lifetime min. 50.000h.

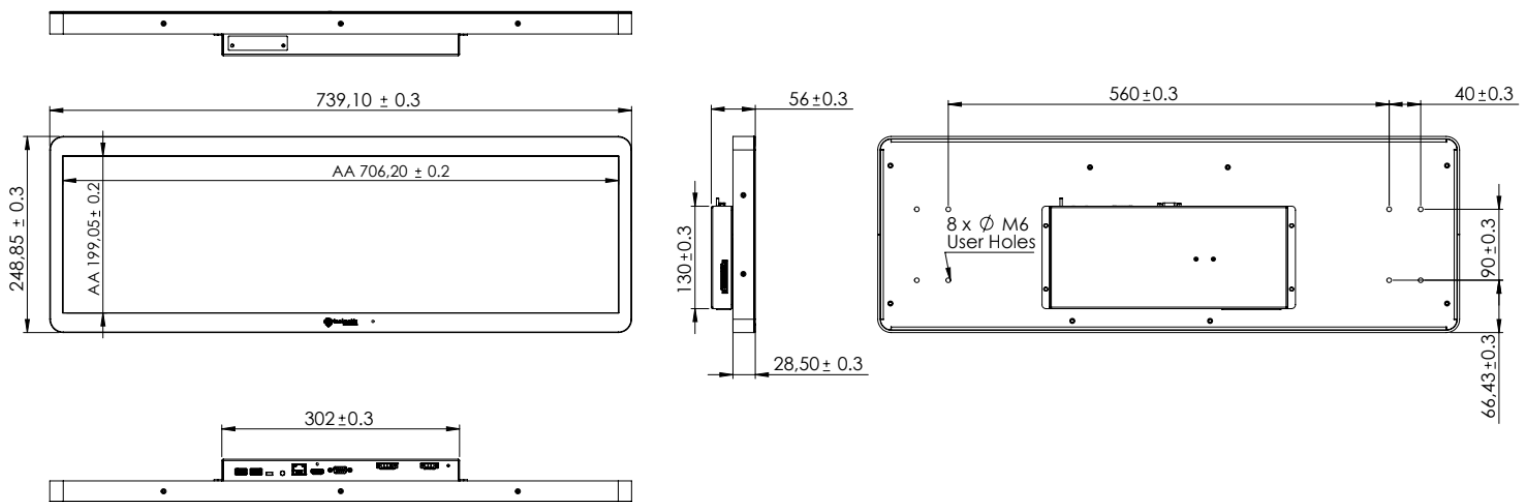


General Specification	
Size	29.0 inches
Resolution / Aspect	1920 x 540 px
Display Area	705 x 198 mm
Inputs	Ethernet / USB / UART
Audio	Optional Audio Output Stereo 2x1.5W / 2x5W
Cover Lens / Touch	CS Glass / PMMA / Projected Capacitive Touch
Power Supply	9-36VDC / 43-160VDC / 14-160VDC
Power Consumption	30W average, 50W max. Power-On in-rush current: 10A
MTBF / Lifespan	Controller and LCD: >80,000h Backlight: min. 50.000h @700nits , 70,000h @ 300 nits
Warranty	24 months
Certification	EN50155* EN45545*
Mounting Type	Open Frame / Panel Mount
IP	IP65 front, IP40 rear
Mechanical and Environment	
Dimension	(see drawing for details)
Weight	6.5Kg
Enclosure	Aluminum, Powder Paint
Operation Temp.	-10°C to 55°C
Storage Temp.	-20°C to 70°C
Vibrations / Shock	1G 2-500Hz / 10G 11ms
Optical Specification	
Brightness	300 / 700 nits (typ), LED backlight.
Dimmer	Fully configurable Dimmer with Internal Sensor (optional) and External Sensor (optional)
Contrast Ratio	Min 1200:1
Viewing Angle	178° H, 178° V
Response Time	16 ms
Optical Finish (optional)	Anti-glare / Anti-reflective / None
Enhancements (Optional)	Sunlight Readable and Transflective Enhancements Available

*Upon request

CPU Specification (ARM)	
Cores	Quad-core ARM Cortex-A17
Frequency	1.8GHz
DDR	Up to 4G DDR4
Graphics	Mali-T760 MP4 GPU
Storage	Internal 8 to 16G eMMC , external TF/SD
Watchdog	Configurable watchdog
CPU Specification (Intel)	
Cores	E3815 Single Core / E3825 Dual Core / E3845 Quad Core
Frequency	1.46Ghz / 1.33Ghz / 1.91Ghz
DDR	Up to 4G DDR4
Graphics	Intel Graphics
Storage	Internal 8 to 16G eMMC , external C-FAST / TF
Watchdog	Configurable watchdog
I/O	
Ethernet	1 x Base 10/100, Optional Gigabit (RJ45 connector)
Daisy Chan	Ethernet
USB	USB 2.0 (A Type connector)
Ignition	Integrated digital input for IGN control
RS232/485	Optional RS232 / RS485 Port
Digital I/O	8 Input or 4 in 4 Out (Optional)
Video	Optional HDMI Output
Audio	Optional Line In / Line Out

Drawing



Images



Ordering Information							
Model	CPU	RAM/Flash	I/O	Interfaces	Power Supply	Brightness	Touch/Cover
BA2906HB-NN-3288-208-0-000-2ND1-9	ARM 4Q	2G / 8G	IGN	Ethernet / USB	43-160VDC	700 nits	None
BA2906HB-G40-3288-208-0-000-2ND1-9	ARM 4Q	2G / 8G	IGN	Ethernet / USB	43-160VDC	700 nits	4mm Tempered
BA2906HB-G40-3288-208-0-000-2AR1-9	ARM 4Q	2G / 8G	IGN	Ethernet / USB	43-160VDC	700 nits	4mm Tempered + Anti-reflective
Custom Options							
F2906	Front frame with Glass / PMMA for waterproof applications						