

Introduction

MAF1000V2 series by Inelmatic Electronics is the new generation rugged milling metal frame monitor with waterproof function, which follow IP65 ingress protection (IP67 optional), low power consumption, super fast reponse time. It's the ideal solution for outdoor usage, or harsh environments.

The MAF1000V2 includes a high featured controller with automatic and manual backlight adjustment, depending of the ambient light, which makes it suitable for applications from the darkest night(NVIS) to the bright sun light. Besides, the MAF1000V2 optionally includes a resistive / capacitive (PCAP) touch panel with USB controller, adding interactivity.

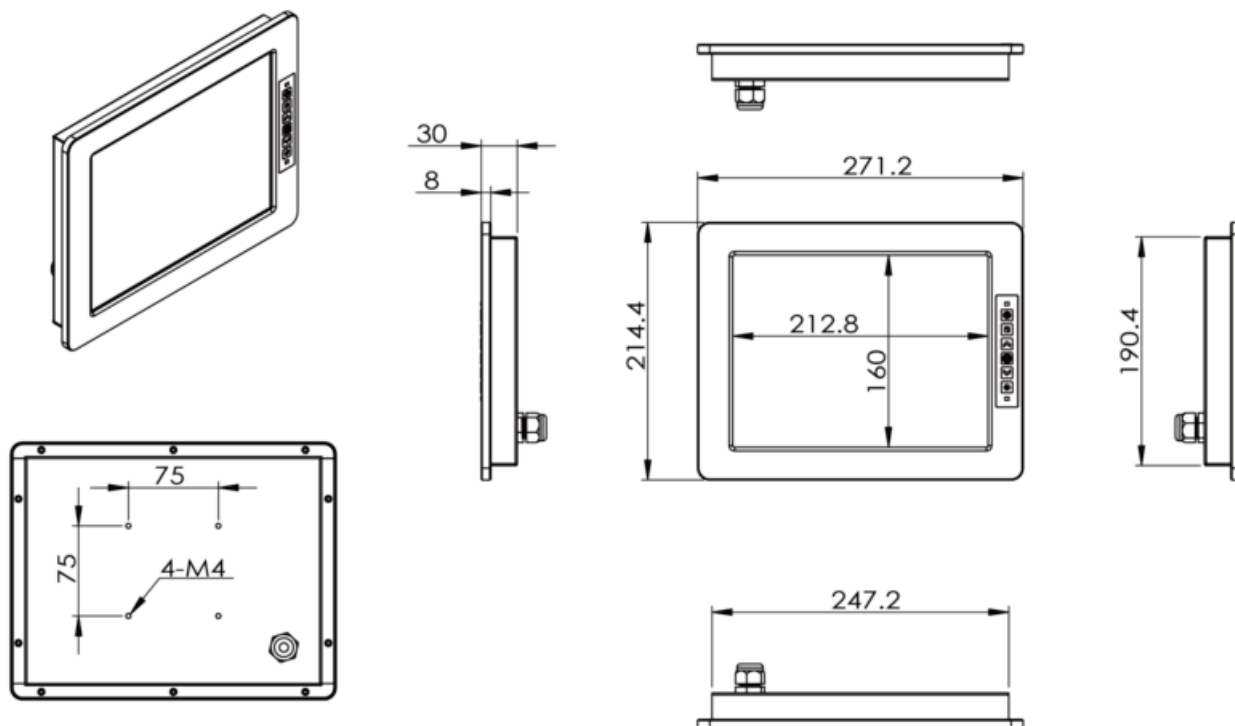
The MAF1000V2 is available with VGA input as standard, optional DVI / HDMI, Composite Video and S-Video inputs. All inputs are available as factor option on the rear panel. Optionally it includes "all-in-one cable", with a lockable connector for an easy and quick installation.



Main features

- * High quality image with wide viewing angle, 178(H)/150(V), 179(H)/179(V) optional.
- * Resistive / Projected Capacitive (PCAP) touch optional.
- * Sunlight readable.
- * 9-36V DC power supply.
- * Low power consumption.
- * High brightness low power LED backlight.
- * Automatic backlight dimmer.
- * Wide temperature range.
- * Milling aluminium front and metal folding behind.
- * Customization available for small qty.
- Autopower on/off by VGA signal.

Drawing



Specifications

Size	10.4 Inches XGA TFT Liquid Crystal Display
Aspect	4:3
Inputs	VGA, HDMI, DVI, 2x AV optional
Audio	None
Touch Panel	Resistive/Capacitive touch(PCAP), 3mm Chemically Strengthened Cover Lens
Power supply	9-36VDC
Power consumption	9W
Mounting	VESA 75mm, customization available
Warranty	12 months international, 24 months Europe.
Certification	CE*, RoHs*, IEC60945*, EN50155* and EN45545*, *under customer request.

Mechanical and enviromental specs

Dimensions	271.2 x 214.4 x 30 mm
Weight	1380gr
Enclosure	Milled Aliminum , folded Aluminum
Operation temperature	-30°C to 75°C
Storage temperature	-40°C to 85°C
Vibrations / Shock	1G rms / 40G 11ms
Environment	IP65 chassis
Material	Milling aluminium parts, black anodized/ powder coating
Others	Low flamability, Halogen Free

Optical specifications

Brightness	400/600/1200nits
Contrast	500:1
Colors	256K
Native resolution	1024x768px
Outdoor readability	Meets MIL-STD-3009 (sunlight readable version MAF1000V2SHB-US / UPS)
NVIS	Optional NVIS B compliant

ORDER INFORMATION

	MAF1000V2XX-X Y V A - XX	
XX - HB : High Brightness T : Normal Brightness	XX - Surface treatment R : Glossy RG : Diffuse
X - Touch Screen Option U : USB N : W/O Touch panel	A - Audio Option N : W/O Audio A : Stereo Audio
Y - Optical Option N : Normal D : Day Light readable S : Sun Light readable	V - Video Option N : W/O Video V : Video input

Example: MAF1000V2HB-UPSVN4.5 10.4 inches XGA Panel, 600nits, sunlight readable, PCAP touch, video, 4.5m all-in-one cable